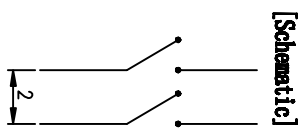
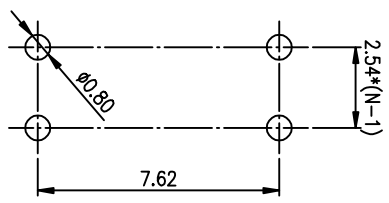
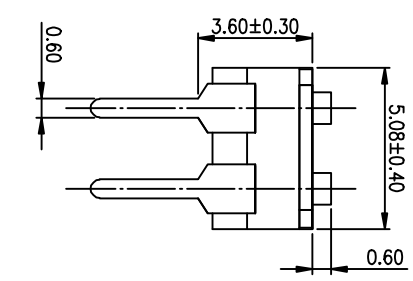
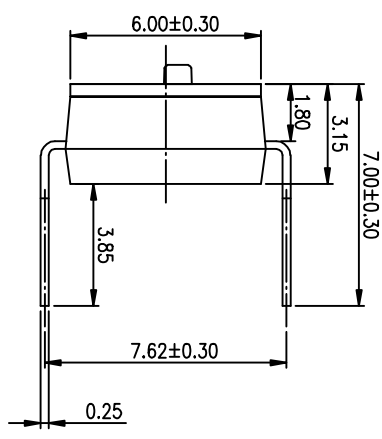
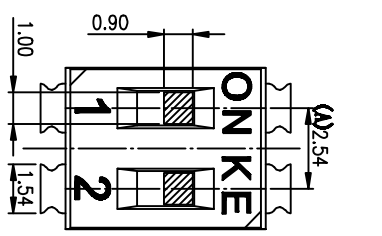
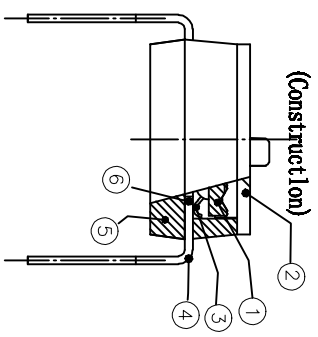
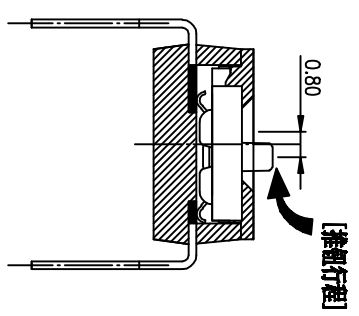


PRODUCT NO.	DISC02LHGET
ROHS COMPLIANT	Yes



**RECOMMENDED P.C.B. LAYOUT (TOP VIEW)**



- NOTES :
- 1> Specification:
    - 1> Operating force: 1000gf Max
    - 2> Operating Temperature: -40° to +85°
    - 3> Storage Temperature: -40° to +85°
    - 4> Mechanical Life: 3000cycles minimum
    - 5> Electrical Life: 2000cycles 25mA 24VDC
  2. PLATING:
    - GOLD FLASH 1u"(min.) SOLDER TAIL,
    - 3u" GOLD PLATING ON THE CONTACT AREA,
    - WITH 50u" NICKEL UNDERPLATING OVERALL.

3. PART NUMBER DESCRIPTION

DISC XX T S G E T

- [包裝方式: T=管裝 R=盒裝]
- [電鍍層: B=鍍鍍3u" G=鍍鍍3u" / 鍍鍍3u"-2u"]
- [G=鍍金 S=內金少鍍]
- [腳型: S脚 / J脚 / 環 / A脚 / Z脚]
- [T=低推力度 S=低推不推度 L=長推]
- [產品碼: 01=1P 02=2P 03=3P ..... 12=12P]

Number	Part Name	Material	Finished
①	Actuator	UL94 V0	White
②	Cover	UL94 V0	Black
③	Movable	Copper Alloy	3u"Gold
④	Terminal	Brass	1u"Gold
⑤	Base	UL94 V0	Black
⑥	Terminal Contact	Brass	3u"Gold

TOLERANCE UNLESS OTHERWISE SPECIFIED		INSPECTION COPY	
LINER	ANGLES	PROJECTION	COPY
0 ± 0.25	0. ± 2'		
.00 ± 0.15	.0 ± 1'		
.000 ± 0.10	.00 ± 0.5'		
DESIGN	kathy	2012/04/12	
DRAWING			
CHECK			
APPRO.			

**RE** 總發特微電子股份有限公司  
Dongguan Kingtek Industrial Co., Ltd.

TITLE: BY DISC SERIES PITCH 2.54mm

PRODUCT FAMILY: DISC SERIES

PRAT NO.: DISC02LHGET

FILE NO.: DISC02LHGET-A

SIZE UNIT SCALE SHEET REV. A4 mm 2 : 1 1 OF 1 A