

PRODUCT NO.	DSPV02LHGCT
RoHS compliant	

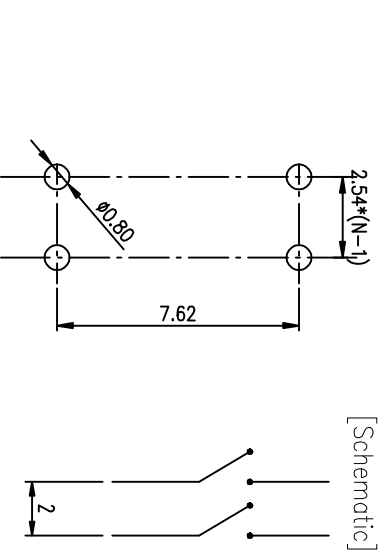
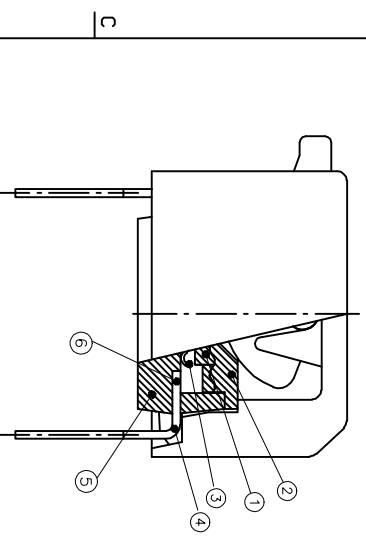
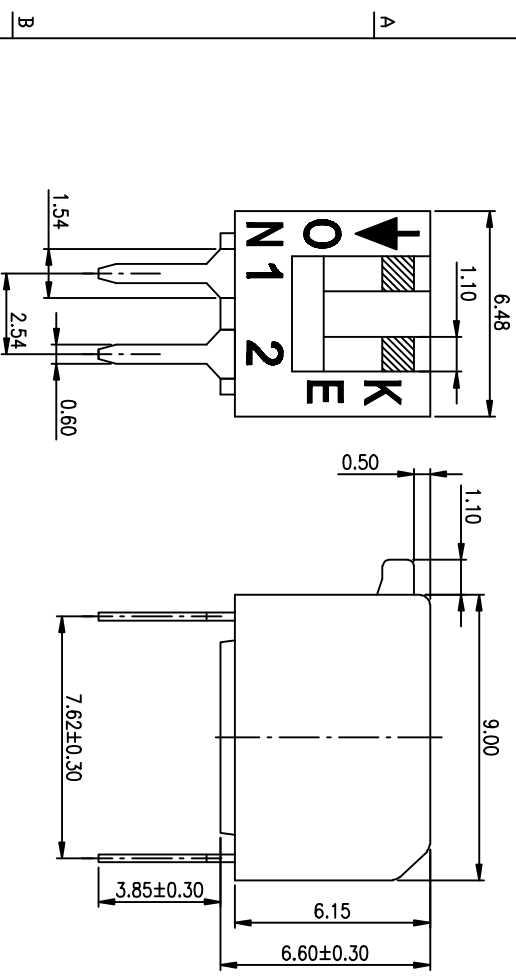
REV.	ECN NO.	DR	DATE

NOTES : 1 Specification:

- 1>. Operating force: 10000gf Max
- 2>. Operating Temperature: -40° to+85°
- 3>. Storage Temperature: -40° to+85°
- 4>. Mechanical Life: 3000cycles minimum
- 5>. Electrical Life: 2000cycles minimum

2. PLATING:
GOLD FLASH 1u"(min.) SOLDER TALL,
3u" GOLD PLATING ON THE CONTACT AREA,
WITH 50u" NICKEL UNDERPLATING OVERALL.
3. CONTACT RATING:
1. SWITCHING: 25mA at 24VDC
2. NON-SWITCHING: 100mA at 50VDC
WITH 50u" NICKEL UNDERPLATING OVERALL.
4. PART NUMBER DESCRIPTION :

DS XX I S G E T
 [Packing: T=Tube R=Reel]
 [Finish: E=3u" Gold-plated F=10u" Gold-plated]
 [Finish: G=Full Gold S=Contact-Gold-plated]
 [Terminal: S=SMD type H=Straight.....]
 [Actuator: T=Tape sealed S=Low profile W/O Tape L=Extension]
 [HP=Half-Pitch IC=IC type PV=Plano type]



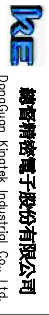
RECOMMENDED P.C.B. LAYOUT (TOP VIEW)

Number	Part Name	Material	Finished
①	Actuator	UL94 V0	White
②	Cover	UL94 V0	Black
③	Movable	Copper Alloy	3u" Gold
④	Terminal	Brass	1u" Gold
⑤	Base	UL94 V0	Black
⑥	Terminal Contact	Brass	3u" Gold

TOLERANCE UNLESS OTHERWISE SPECIFIED	ANGLES	PROJECTION
0 ± 0.25	0 ± 2°	
.00 ± 0.15	.0 ± 1°	
.000 ± 0.10	.00 ± 0.5°	

DESIGN	kathy	03/20/12
DRAWING		
CHECK		
APPRO.		

FILE NO.	DSPV02LHGCT-A
SIZE	A4
UNIT	mm
SCALE	2 : 1
SHEET	1 OF 1
SHEET	A
REV.	A



BY DSPV SERIES PITCH 2.54mm
 PRODUCT FAMILY DSPV SERIES
 PRAT NO. DSPV02LHGCT